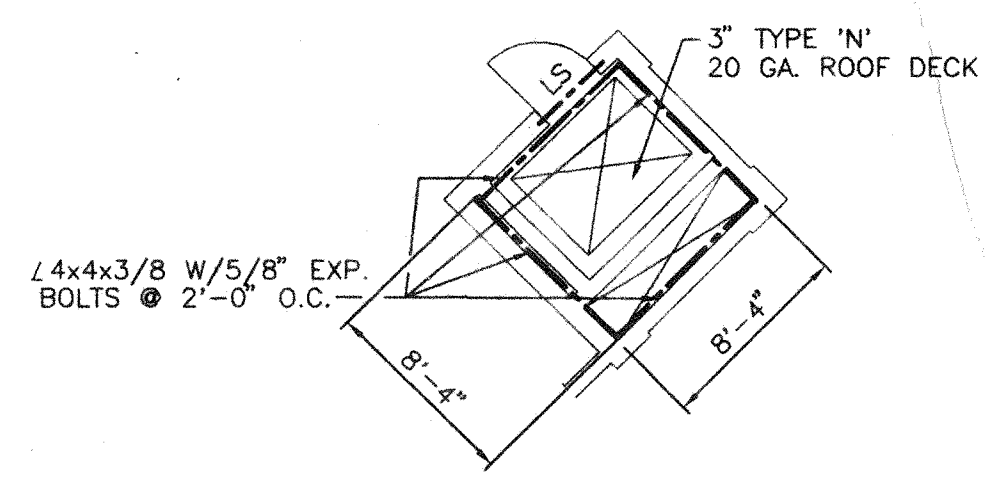
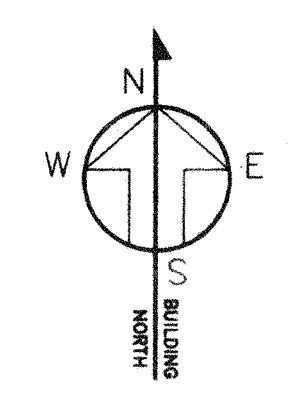
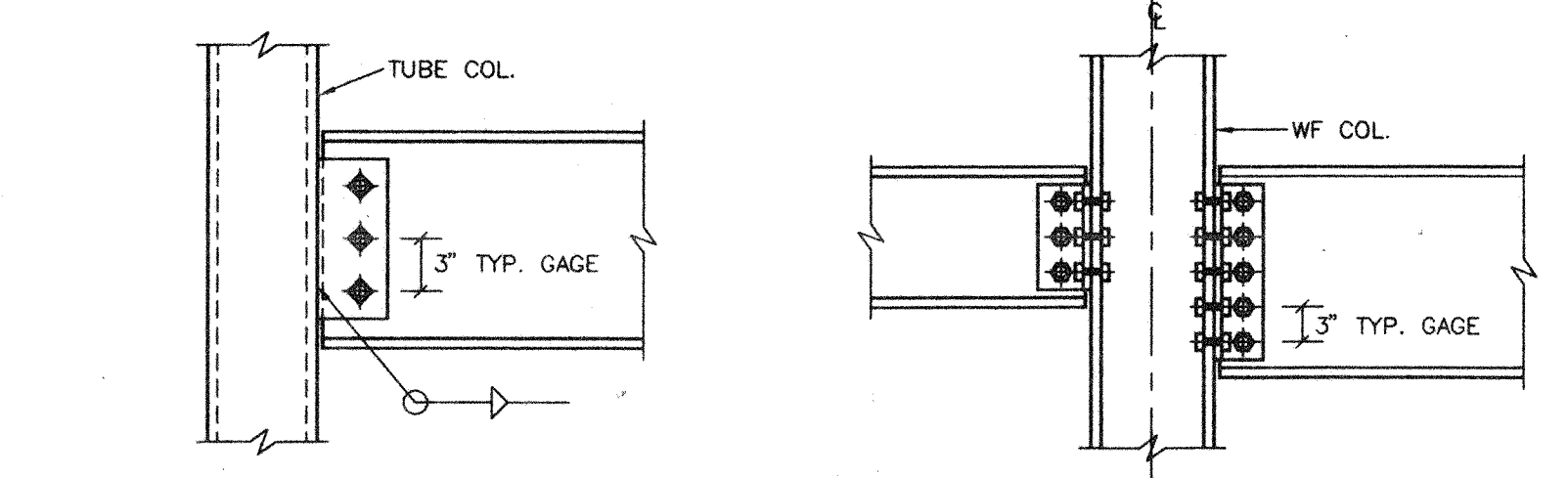


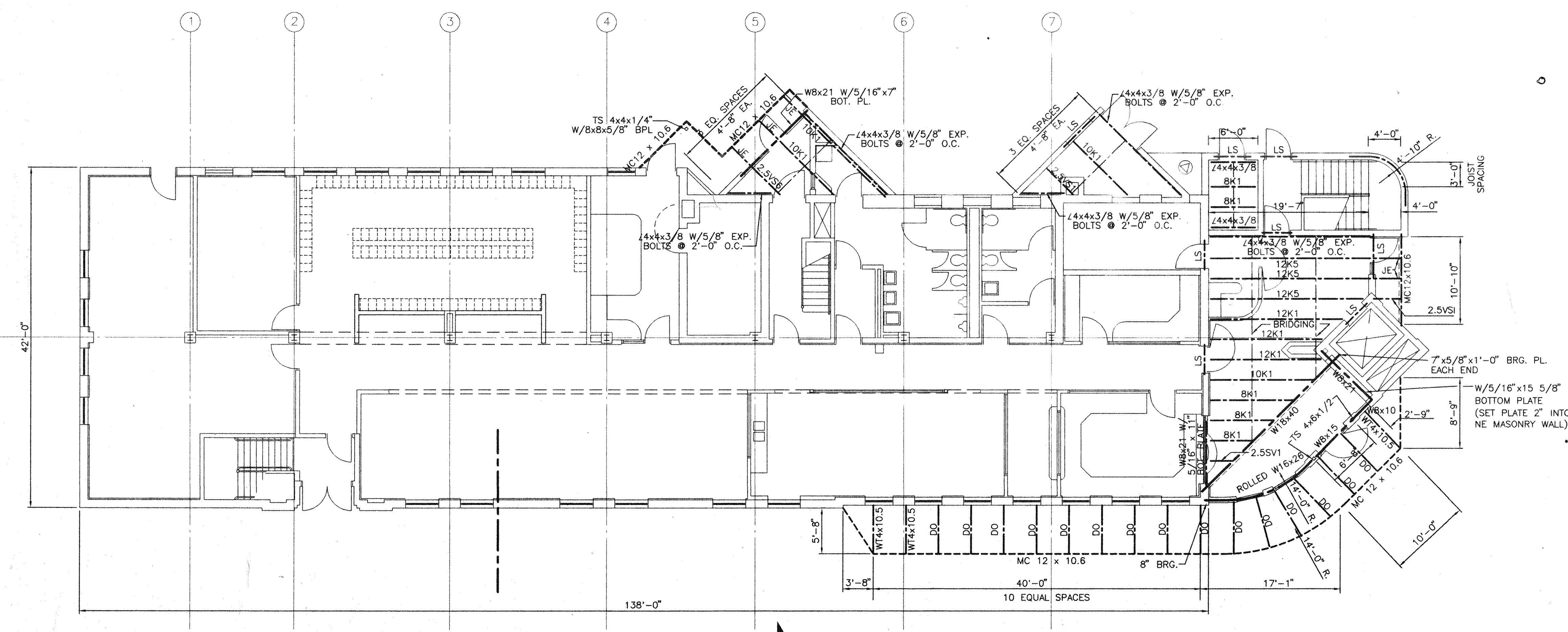
**ROOF FRAMING PLAN**  
SCALE: 1/8"=1'-0"



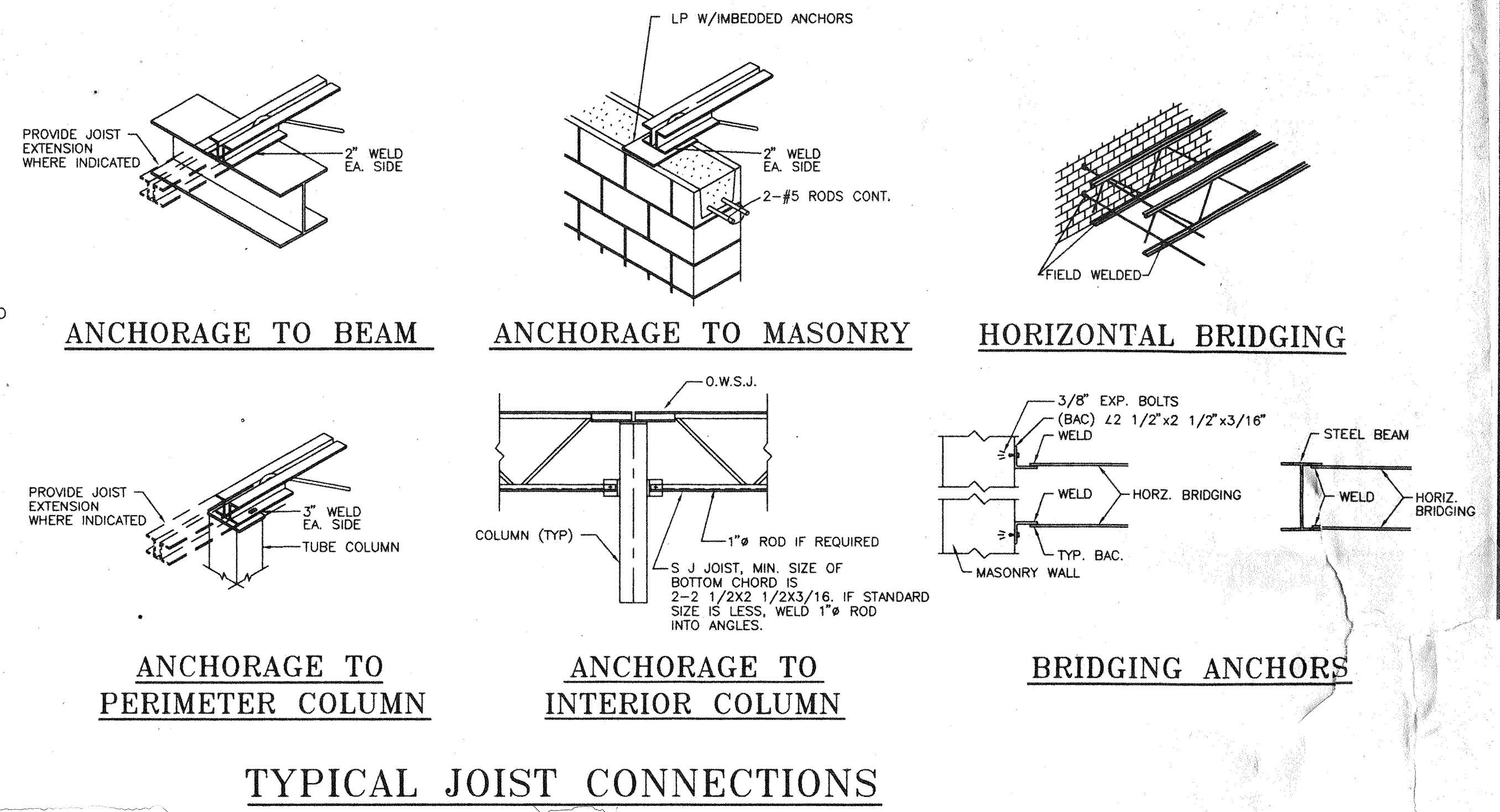
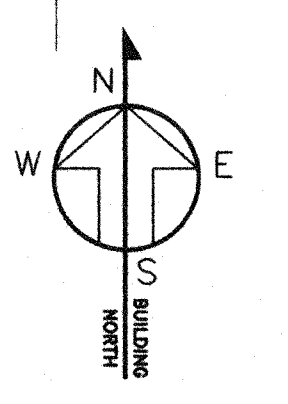
**CLOCK ROOM FRAMING PLAN**  
SCALE: 1/8"=1'-0"



**TYPICAL BEAM/COLUMN CONNECTIONS**  
N.T.S.



**SECOND FLOOR FRAMING PLAN**  
SCALE: 1/8"=1'-0"



**TYPICAL JOIST CONNECTIONS**

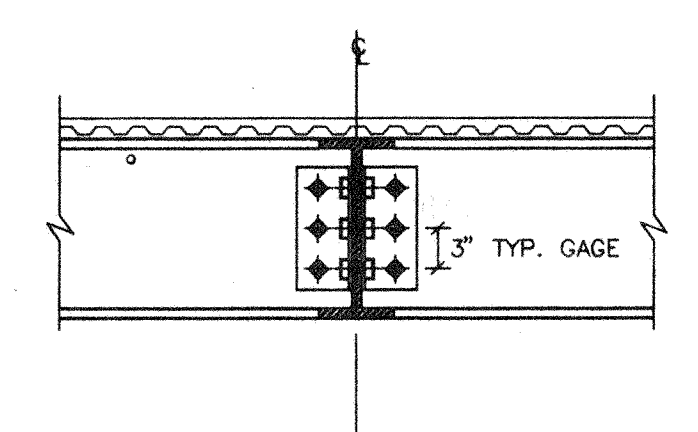
UNLESS OTHERWISE NOTED, PROVIDE LINTELS FOR ALL MASONRY OPENINGS PER THE FOLLOWING SCHEDULE. INSTALL ONE (1) ANGLE FOR EACH 4" OF WALL THICKNESS PER OPENING. SEE MECHANICAL SHEETS FOR DUCT OPENINGS AND MECHANICAL EQUIPMENT. (SOME LINTELS MAY BE DESIGNATED "LST")

MASONRY OPENING	LINTEL SIZE	(3 1/2" LEG HORIZONTAL)	(3 1/2" LEG HORIZONTAL)
4'-0" OR LESS	3 1/2x3 1/2x5/16	(3 1/2" LEG HORIZONTAL)	(3 1/2" LEG HORIZONTAL)
4'-1" TO 8'-0"	4x3 1/2x5/16	(3 1/2" LEG HORIZONTAL)	(3 1/2" LEG HORIZONTAL)
8'-1" TO 12'-0"	6x3 1/2x5/16	(3 1/2" LEG HORIZONTAL)	(3 1/2" LEG HORIZONTAL)

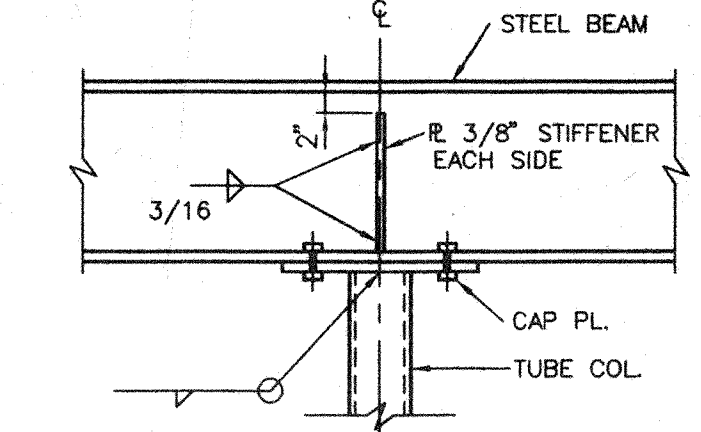
FOR SPANS IN EXCESS OF 8'-0" (FOR ALL WALL THICKNESSES)  
 8'-1" TO 12'-0" W8x10 w/ 5/16 HUNG PL.  
 12'-1" TO 16'-0" W10x22 w/ 5/16 HUNG PL.

LINTELS SHALL BE 1'-4" LONGER THAN MASONRY OPENING AND SHALL BEAR 8" AT EACH END. MASONRY UNITS UNDER LINTEL BEARING SHALL BE FILLED WITH CONCRETE FOR MIN. OF 3 BLOCK COURSES OR SHALL BE BRICK FOR MIN. 9 COURSES. ALL ANGLES OCCURRING AT EXPOSED MASONRY SHALL BE CUT AS SHOWN IN DETAIL BELOW TO ALLOW FOR IMPROVED MORTAR JOINT.

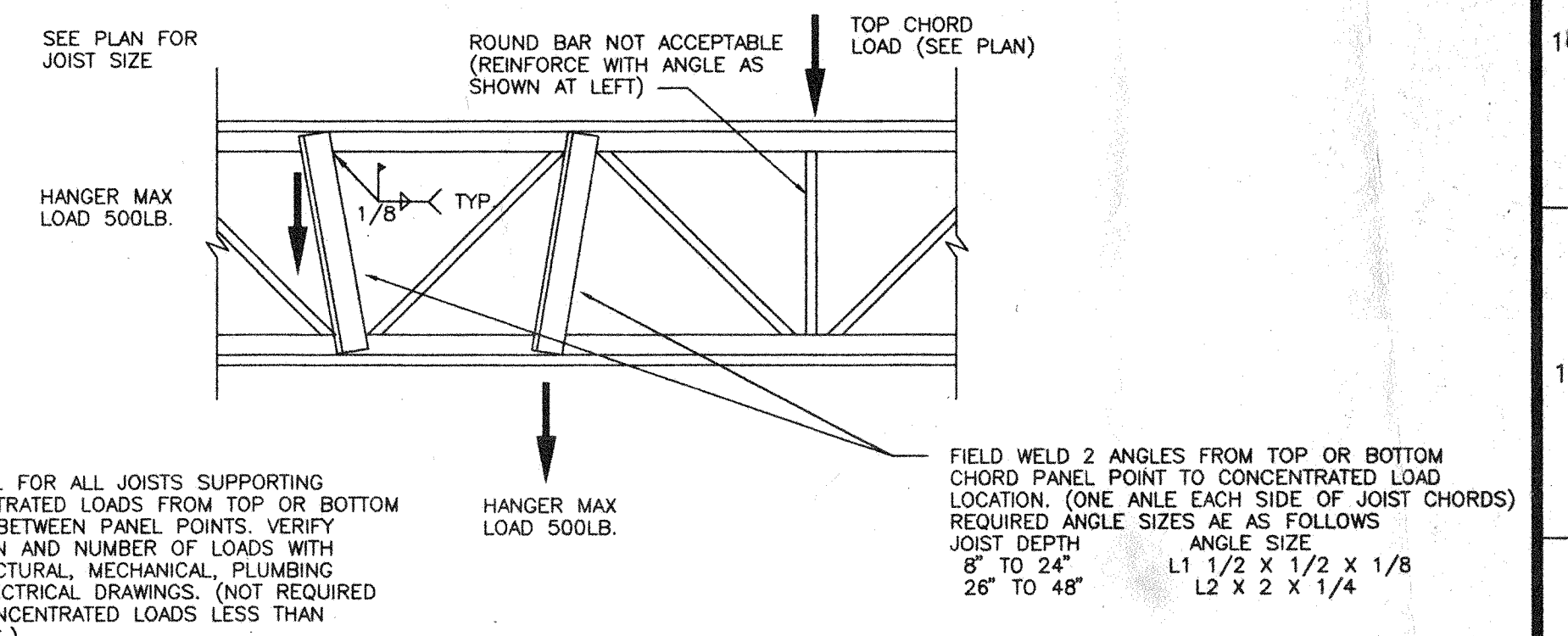
**LINTEL SCHEDULE**  
N.T.S.



**TYP. BEAM/BEAM CONNECTION**  
N.T.S.



**TYP. CONT. BEAM/COLUMN CONNECTION**  
N.T.S.



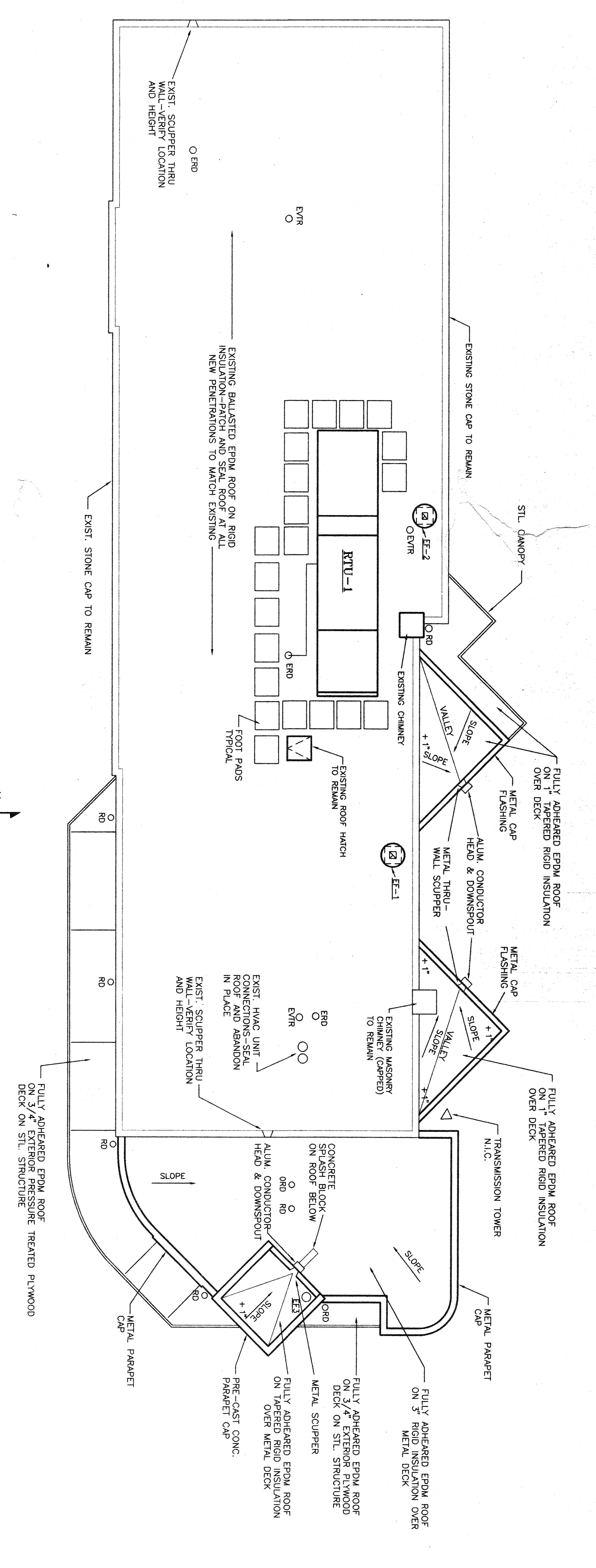
NOTE: TYPICAL FOR ALL JOISTS SUPPORTING CONCENTRATED LOADS FROM TOP OR BOTTOM CHORD BETWEEN PANEL POINTS. VERIFY LOCATION AND NUMBER OF LOADS WITH ARCHITECTURAL, MECHANICAL, PLUMBING AND ELECTRICAL DRAWINGS. (NOT REQUIRED FOR CONCENTRATED LOADS LESS THAN 200 LBS.)

FIELD WELD 2 ANGLES FROM TOP OR BOTTOM CHORD PANEL POINT TO CONCENTRATED LOAD LOCATION. (ONE ANGLE EACH SIDE OF JOIST CHORDS) REQUIRED ANGLE SIZES AS FOLLOWS:  
 JOIST DEPTH 8" TO 24" L1 1/2 x 1/2 x 1/8  
 28" TO 48" L2 x 2 x 1/4

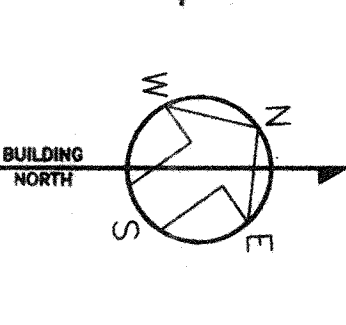
**SUPPORT OF CONCENTRATED LOADS DETAIL**  
N.T.S.

DRAWN: JCS	CHKD: ??	APPR: ??	REV: DATE	DESCRIPTION
DATE: 7/1/07	DATE: 7/1/07	DATE: 7/1/07	DATE: 7/1/07	DATE: 7/1/07
CAD SCALE: 1/8"=1'-0" CAD: 707CS2 PLOT DATE: 5/				
<b>SECOND FLOOR &amp; ROOF FRAMING PLANS</b>				
RENOVATIONS TO EXISTING ADMINISTRATION FACILITY				
KANAWHA VALLEY REGIONAL TRANSPORTATION AUTHORITY 1550 FOURTH AVENUE CHARLESTON, WEST VIRGINIA				
<b>THE HDMR GROUP Inc.</b> ARCHITECTS - ENGINEERS - PLANNERS 206 MASONIC TEMPLE BUILDING, CHARLESTON, W.VA.				





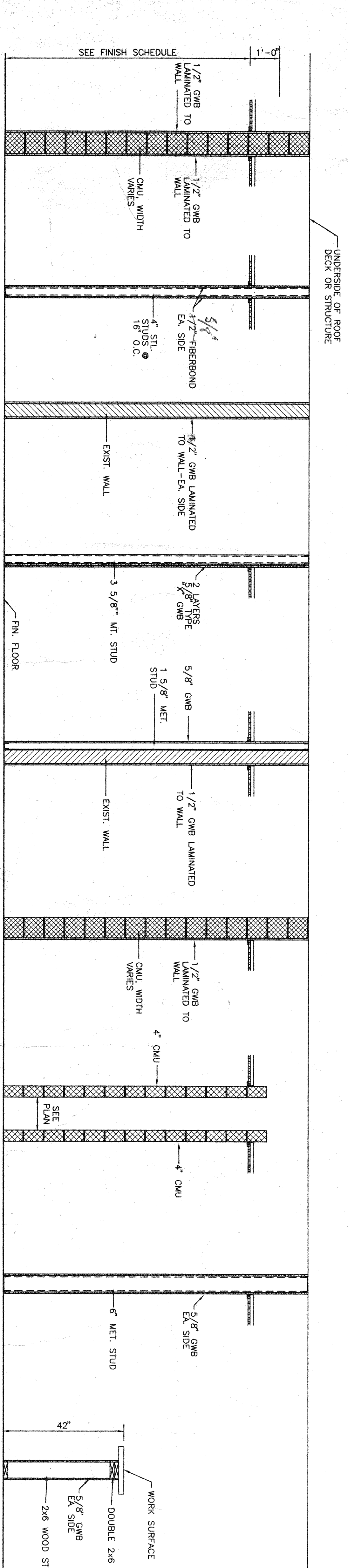
**ROOF PLAN**  
SCALE: 1/8" = 1'-0"



**ROOF LEGEND**

○ RO	NEW/REPLACEMENT ROOF DRAIN
○ ERD	EXISTING ROOF DRAIN
○ VTR	VENT THROUGH ROOF
○ ETR	EXISTING VENT THROUGH ROOF
△	DIRECTION OF ROOF SLOPE
+*	ELEVATION OF ROOF/YARDED INSULATION
□	MASONRY CHIMNEY
△	RADIATOR TOWER
▽	ROOF SCUMME
▽	TAPERED INSULATION CRACKET HIGH POINT OF ROOF/DAMS
○	RUU
○	ROOF TOP HVAC UNIT

ACTUAL SIZE	NOMINAL SIZE	FIRE RATING	TYPE - A	TYPE - B	TYPE - C	TYPE - D	TYPE - E	TYPE - F	TYPE - G	TYPE - H	TYPE - J	TYPE - K	TYPE - L	TYPE - M	TYPE - N	TYPE - P	TYPE - Q	TYPE - R	TYPE - S	TYPE - T	TYPE - U
4'-1/4"	4'-7/8"	4"	4'-7/8"	4'-7/8"	4'-7/8"	4'-7/8"	6'-1/8"	6"	4'-7/8"	9'-1/8"	6'-1/8"	7'-1/8"	4'-7/8"	5'-1/4"	6'-1/8"	3'-1/2"	7' 5/8"	2' 1/4"	5' 5/8"	3' 5/8"	-
4"	5"	1 HOUR	5"	5"	5"	5"	2 HOUR	1 HOUR	1 HOUR	2 HOUR	2 HOUR	2 HOUR	1 HOUR	2 HOUR	2 HOUR	2 HOUR	2 HOUR	2 HOUR	2 HOUR	1 HOUR	-



ACTUAL SIZE	NOMINAL SIZE	FIRE RATING	TYPE - V	TYPE - W	TYPE - X	TYPE - Y	TYPE - Z	TYPE - AA	TYPE - BB	TYPE - CC	TYPE - DD
SEE PLAN	5"	-	5"	5"	5"	4'-7/8"	5"	4'-7/8"	8'-1/8"	8' 1/2"	7'-1/8"
VARIES	5"	-	5"	5"	5"	1 HOUR	1 HOUR	2 HOUR	2 HOUR	2 HOUR	7'

**PARTITION TYPES**

NOTE:  
1. SEE ROOM FINISH SCHEDULE FOR CEILING MATERIAL AND HEIGHT  
2. SEE ROOM FINISH SCHEDULE FOR PARTITION MATERIAL AND HEIGHT  
3. FIRESTOP SEALANT REQUIRED AT ALL RATED PARTITIONS.

**THE HDMR GROUP INC.**  
ARCHITECTS - ENGINEERS - PLANNERS

200 MARIONC TEMPLE BUILDING, CHARLESTON, W. VA.

DATE	DESCRIPTION	BY	APP'D
4/97	DRN	TEI	TEI
4/97	CHG	TEI	TEI
4/97	DATE	4/97	DATE
707CA2	REV	DATE	DESCRIPTION
707CA2	REV	DATE	DESCRIPTION
5/5/97	REV	DATE	DESCRIPTION

PROJECT NO. 707BC-96  
DATE MAY 1997  
DWG NO. CA2  
OFF. DWG